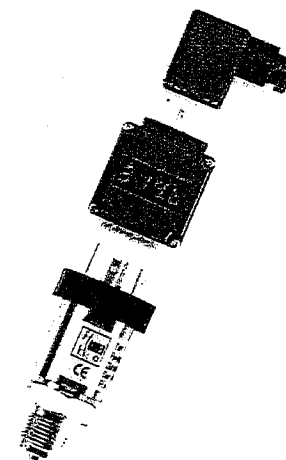




Operating Instructions
for
Pressure Sensors
Heavy Duty Compact

Model: SEN-86../ SEN-87..



1. Contents

1. Contents.....	2
2. Note	3
3. Instrument Inspection.....	3
4. Regulation Use	3
5. Operating Principle	4
6. Mechanical Connection and Putting to Operation.....	4
7. Electrical Connection	5
8. Maintenance	7
9. Trouble shouting	7
10. Technical Information.....	8
11. Order Codes	9
12. Dimensions	10
13. Declaration of Conformance	11

Manufactured and sold by:

Kobold Messring GmbH
 Nordring 22-24
 D-65719 Hofheim
 Tel.: +49(0)6192-2990
 Fax: +49(0)6192-23398
 E-Mail: info.de@kobold.com
 Internet: www.kobold.com

2. Note

Please read these operating instructions before unpacking and putting the unit into operation. Follow the instructions precisely as described herein.
 The devices are only to be used, maintained and serviced by persons familiar with these operating instructions and in accordance with local regulations applying to Health & Safety and prevention of accidents.

When used in machines, the measuring unit should be used only when the machines fulfil the EWG-machine guidelines.

3. Instrument Inspection

Instruments are inspected before shipping and sent out in perfect condition. Should damage to a device be visible, we recommend a thorough inspection of the delivery packaging. In case of damage, please inform your parcel service / forwarding agent immediately, since they are responsible for damages during transit.

Scope of delivery:

The standard delivery includes:

- Pressure Sensors Heavy Duty Compact model; SEN-86../87..
- Operating Instructions

4. Regulation Use

Pressure sensors transmit the mechanical pressure signal into an electrical output signal. The media's which are in contact with the instrument should have no effects on the instrument materials used. Do not use standard units in hazardous areas and for oxygen applications.

5. Operating Principle

KOBOLD Pressure sensors model SEN-86 are inexpensive pressure sensors with thick film ceramic pressure element. With their accuracy, reliability and compact design, they are perfectly suitable for OEM applications in medium to high quantities.

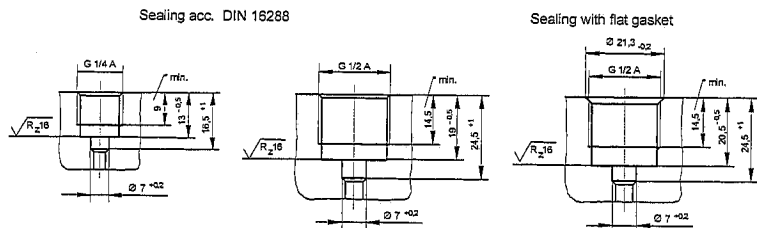
The materials and technology used make these pressure sensors insensitive to chemically aggressive media and mechanical load. Particularly hydraulics systems with their high and fast pressure peaks are thus preferred applications.

6. Mechanical Connection and Putting to Operation

The place where pressure is taken should be prepared according the following specifications for the screw-in threads.

For sealing, please use sealing discs acc. DIN 16258 or profile washers. The maximum initial tension depends on the material, the shape of the used sealing and the mechanical connection of the pressure sensor.

There should be no vibrations and/or no radiation of heat near the mounting position of the sensors. Please pay attention that the given technical data's are not exceeded. After the mechanical and electrical connection the sensor works immediately.



7. Electrical Connection

- Ensure that the power is disconnected during connection of the cable.
- The electrical connection is made either via plug and pin or by cable.
- The exact wiring scheme is shown on the sketches hereafter or at the type plate of your sensor.

Meaning of the different connector markings

UB+	positive pole of the supply voltage
OV	negative pole of the supply voltage
S+	positive pole of the output signal
S-	negative pole of the output signal
Shielding	Cable protection enclosure-earth

Pressure sensors for relative pressures with cable output are equipped with an atmospheric pressure compensation cable. Please take this into account if you want to extend the cable. The relative pressure sensor with pressure ranges up to 25 bar are vented due to a venting sealing between housing and plug.

The sensor can be supplied with a non stabilised DC source with the given voltage range. The minimum supply voltage for pressure sensors with current output should be the minimum UB plus the minimum voltage, which is needed for the external indicator:

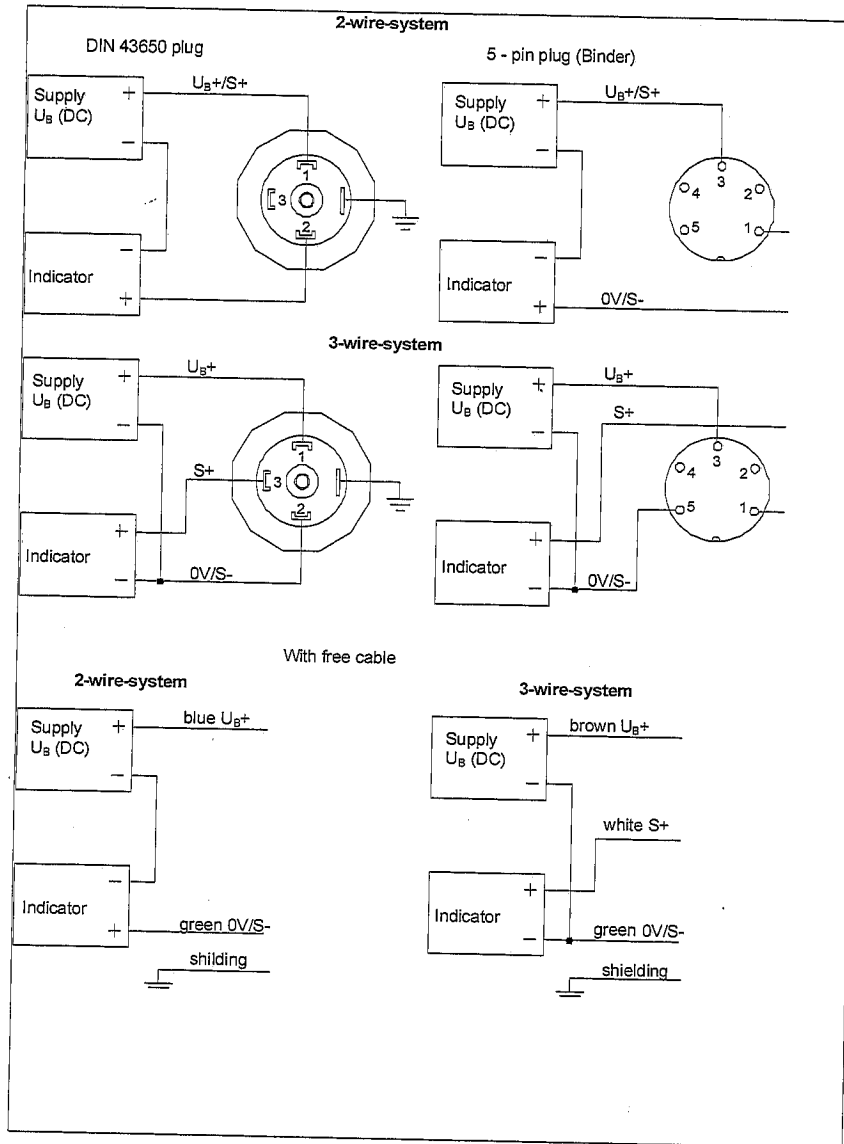
Current output

	2-wire system	3-wire system
Output signal	4...20 mA	0...20 mA
Supply voltage	$U_B = 15 \dots 32 V_{DC}$	
Permissible load	$R_A [Ohm] = (U_B [V] - 15 V) / 0.02 A$	
Wiring	see schematic	

Voltage output

	3-wire system	3-wire system
Output signal	0...5 V	0...10 V
Supply voltage	$U_B = 15 \dots 32 V_{DC}$	
Permissible load	$R_A > 5 k\Omega$	$R_A > 10 k\Omega$
Wiring	see schematic	

Electrical connection



8. Maintenance

The pressure sensors described in this manual are maintenance free! They do not contain any components which may be repaired or exchanged locally. Repairs are not possible other than in our factory.

9. Trouble shooting

Trouble	Possible reason	What's to do
No signal	no supply voltage broken wire	Check your power supply and wiring. If necessary replace defective parts
	Sensor has been wired faulty	Check the wiring according to the sketches, adjust wiring if necessary.
	No pressure	Check your tubing, valves open?
	Defective electronics caused by to high supply voltage or by external voltage	Return sensor to us for repair
Unchanged signal by changing pressure	Pressure port is clogged	Clean the pressure port
	Defective electronic caused by to high supply voltage or by external voltage	Return sensor to us for repair
	Pressure sensor over pressurized	Return sensor to us for repair
To high, even on changing pressure unchanged signal	Defective electronics caused by to high supply voltage or by external voltage	Return sensor to us for repair
Span of signal to small	Supply voltage to low Resistance to high	Adjust supply voltage Adhere to max. allowable resistance
Zero signal to high	Mechanical overburden	Return to us for repair
Output signal non linear	Mechanical overburden	Recalibrate sensor resp. return to us for repair

10. Technical Information

Model	SEN-8600/ SEN-8700	SEN-8601 / SEN-8701
Technology	internal diaphragm	
Pressure type	gauge pressure	
Housing	stainless steel 1.4305	
Connection:	G 1/2 male; stainless steel 1.4301 (NPT, UNF on request)	G 1/4 male; stainless steel 1.4301 (NPT, UNF on request)
Sensor element	ceramic (Al ₂ O ₃)	
Measuring principle	thick film techn. (DMS)	
O-Ring	NBR	
Max. Temperature	Storage: -40...+85 °C Medium: -40...+100 °C Ambient: -40...+85 °C	
Pressure limitation	< 60 bar: 2 x range > 60 bar: 1.5 x range	
Accuracy class	0.5 f.s.d.)	1.0 f.s.d.)
Repeatability	≤ ± 0.15 % (f.s.d.)	≤ ± 0.3 % (f.s.d.)
Characteristic deviation	≤ ± 0.3 % (f.s.d.)	≤ ± 0.6 % (f.s.d.)
Stability (annual)	≤ ± 0.2 % of full scale in rated conditions	
Electrical connection	Plug DIN 43 650 A / Plug M12x1 Cable connection	
Power supply	15...32 V _{DC}	
Output signal	4 – 20 mA, 0 – 5 V _{DC} , 0 – 10 V _{DC}	
Load (Ω)	≤ (U _B – 15 V)/0.02 A (for 4 – 20 mA)	
Response time	≤ 1 ms (within 10 – 90% of full scale)	
Temp. comp. range	-25...+85 °C	
Temperature drift	Zero:	
	≤ ± 0.02% K	≤ ± 0.04% K
	≤ ± 0.01% K	≤ ± 0.02% K
Protection	IP 65 (SEN-860..; SEN-863..) IP 68 (SEN-865..)	

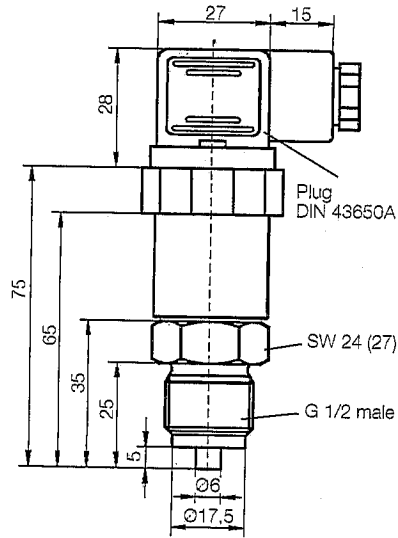
11. Order Codes

Electrical connection	Class	Model	Output	Measuring range
DIN plug; IP 65	0.5	SEN-8600..	without = 4 – 20 mA /1 = 0 – 5 V /2 = 0 – 10 V	C315= -1 to 0 bar B025= 0 to 1 bar B035= 0 to 1.6 bar B045= 0 to 2.5 bar B055= 0 to 4 bar B065= 0 to 6 bar B075= 0 to 10 bar B085= 0 to 16 bar A095= 0 to 25 bar A105= 0 to 40 bar A115= 0 to 60 bar A125= 0 to 100 bar A135= 0 to 160 bar A145= 0 to 250 bar A155= 0 to 400 bar A165= 0 to 600 bar
M12 plug; IP 65	0.5	SEN-8630..		
Cable connection; IP 68	0.5	SEN-8650..		
DIN plug; IP 65	1.0	SEN-8601..		
M12 plug; IP 65	1.0	SEN-8631..		
Cable connection; IP 68	1.0	SEN-8651..		

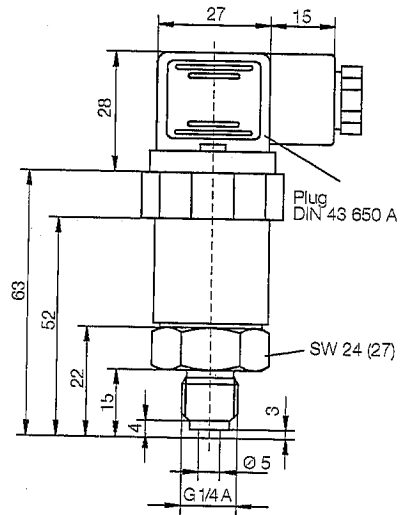
Electrical connection	Class	Model	Output	Measuring range
DIN plug; IP 65	0.5	SEN-8700..	without = 4 – 20 mA /1 = 0 – 5 V /2 = 0 – 10 V	C315= -1 to 0 bar B025= 0 to 1 bar B035= 0 to 1.6 bar B045= 0 to 2.5 bar B055= 0 to 4 bar B065= 0 to 6 bar B075= 0 to 10 bar B085= 0 to 16 bar A095= 0 to 25 bar A105= 0 to 40 bar A115= 0 to 60 bar A125= 0 to 100,bar A135= 0 to 160 bar A145= 0 to 250 bar A155= 0 to 400 bar A165= 0 to 600 bar
M12 plug; IP 65	0.5	SEN-8730..		
Cable connection; IP 68	0.5	SEN-8750..		
DIN plug; IP 65	1.0	SEN-8701..		
M12 plug; IP 65	1.0	SEN-8731..		
Cable connection; IP 68	1.0	SEN-8751..		

12. Dimensions

SEN-86..



SEN-87..



13. Declaration of Conformance

We, KOBOLD-Messring GmbH, Hofheim-Ts, Germany, declare under our sole responsibility that the products:

Pressure Sensors Type 86.. and SEN-87..

to which this declaration relates in conformity with the standards noted below:

- EN 50081-1 3/93
- EN 61000-4-2, EN 61000-4-3, EN 61000-4-4, EN 61000-4-6)
- EN 50082-2 2/96
- EN 61010-1 3/94

Also the following EWG guidelines are fulfilled:

- 89/336 ECC
- 72/23 ECC

Signed:

H. Peters

M. Wenzel

date: 07.10.02